

Marine Equipment Directive EC Declaration of Conformity

Manufacturer: Northrop Grumman Sperry Marine B.V.
Woltmanstrasse 19
D-20097 Hamburg, Germany

ABS Quality Evaluations ISO 9001:2015 Certificate No: 32652

Declaration: We hereby declare that the following specified equipment complies with the Marine Equipment Directive 2014/90/EU.

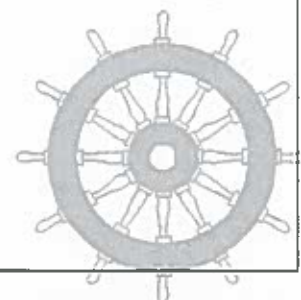
This equipment has been tested to verify compliance with the Regulations and Testing Standards according to implementing regulation (EU) 2017/306

<ul style="list-style-type: none"> — SOLAS 74 Reg. V/18. — SOLAS 74 Reg. V/19. — IMO Res.A.424(XI). — IMO Res.A.694(17). — IMO Res.MSC.191(79). — IMO Res.MSC.302(87). 	<ul style="list-style-type: none"> — ISO 8726:2014. — IEC 60945 (2002) Incl. IEC 60945 Corr. 1 (2008). — IEC 61162-1 (2016) — IEC 61162-2(1998) — IEC 62288 (2014).
--	--


as per EC - Type Examination Certificate (Module B) and
QS - Certificate of Assessment - EC (Module D) issued by:

Notified Body No. 0098 DNV GL SE

Gyro compass (A.1/4.3) NAVIGAT X MK 1		EC TYPE EXAMINATION (B) Cert. No.:
Type No.	Designation	EC QUALITY SYSTEM (D) Cert. No.:
4914, 4914 AA, 4914 CA	Gyrocompass System	MEDB00002AN, MEDD00000ZJ
4911 + 5000	Gyrosphere	
4991-2000	Gyrosphere and Container Mod 10/2	
4991-3000	Gyrosphere and Container Mod 7/2	
4991-4000	Gyrosphere and Container Mod 10/3	
5026-4000	Gyrosphere and Container Mod 10/4	
4926	Gyrocompass Control Unit	
4923	Compass Monitor NAVITWIN III	
4994	Heading Management System NAVITWIN IV	
4863	Fluxgate Coil For Magnetic Compass	
4881, 4881 AA, 5016 AA	Steering Repeater (Console Mounted)	
4881 AB, 4881 AM, 5016, 5016 BB	Bearing Repeater	
4881 AC, 4881 AK, 5016 AC	Repeater (Bulkhead Mounted)	
4881 AD, 5016 AB	Steering Repeater (Console Mounted) (Magnetic Heading)	
4622 AB, 4622 AC, 4622 AD	Bearing Repeater Stand	
1812783	Bearing Repeater Stand	
4890, 4905	Bearing Repeater Bracket with Terminal Box	
4884, 4894	Terminal box	
4805	Voyage Data Printer NAVIPRINT	
4806 AC, 4806 AD, 4806 AE	Multifunction Display NAVIDATA	
4932	Switch-Over Box	
4891	Universal Digital Repeater	
DTR600	Digital Tape Repeater	
4992	Splitter Box	



4936	Splitter Box	
2568	Power Supply Unit	
55555	Opto Isolator	



 Thomas Blome, Product Line Manager

30.06.2017

Date of Issue

Item No.	Description	Quantity	Unit	Material No.	Material Description	Material Unit	Material Qty	Material Unit	Material Qty	Material Unit	Material Qty
4936	Splitter Box										
2568	Power Supply Unit										
55555	Opto Isolator										

