

## Marine Equipment Directive EC Declaration of Conformity

**Manufacturer:** Northrop Grumman Sperry Marine B.V.  
Woltmanstrasse 19  
D-20097 Hamburg, Germany

ABS Quality Evaluations ISO 9001:2015 Certificate No: 32652

**Declaration:** We hereby declare that the following specified equipment complies with the Marine Equipment Directive 2014/90/EU.

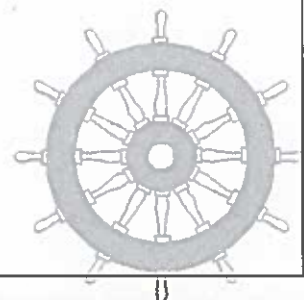
This equipment has been tested to verify compliance with the Regulations and Testing Standards according to implementing regulation (EU) 2017/306

<ul style="list-style-type: none"> <li>— SOLAS 74 Reg. X/3,</li> <li>— IMO Res.A.694(17),</li> <li>— IMO Res.A.821(19),</li> <li>— IMO Res.MSC.36(63)</li> <li>— IMO Res.MSC.97(73)</li> <li>— IMO Res.MSC.191(79),</li> <li>— IMO Res.MSC.302(87),</li> <li>— IMO MSC.1/Circ.1349.</li> </ul>	<ul style="list-style-type: none"> <li>— ISO 16328:2014,</li> <li>— IEC 60945 (2002) Incl. IEC 60945 Corr. 1 (2008),</li> <li>— IEC 61162-1 (2016),</li> <li>— IEC 61162-2 (1998),</li> <li>— IEC 62288 (2014).</li> </ul>
--	--

as per EC - Type Examination Certificate (Module B) and  
QS - Certificate of Assessment - EC (Module D) issued by:

**Notified Body No. 0098 DNV GL SE**

<b>Gyro compass for high-speed craft (A.1/4.31) HSC CompassNet</b>		
Type No.	Designation	EC TYPE EXAMINATION (B) Cert. No.:
		EC QUALITY SYSTEM (D) Cert. No.:
5026	Gyrocompass System NAVIGAT 200	MEDB000025K, MEDD00000ZJ
5026-AA	NAVIGAT 100	
4911 AA + 5000 AA	Gyrosphere	
4991-4000	Gyrosphere and Container Mod 10/3	
5026-4000	Gyrosphere and Container Mod 10/4	
5021	NAVIGAT 3000	
5018	Converter and Amplifier Unit	
5018-5100	Converter and Amplifier Board	
5017	Data Distribution Unit	
5017-2000	DDU Processor Module	
5019	NAVITWIN V	
5016 AA, 4881, 4881 AA,	Steering Repeater (Console Mounted)	
5016 AB, 4881 AD	Steering Repeater (Console Mounted) (Magnetic Heading)	
5016 AC, 4881 AC, 4881 AK	Repeater (Bulkhead Mounted)	
5016, 5016 BB, 4881 AB, 4881 AM	Bearing Repeater	
4622 AB, 4622 AC, 4622 AD	Bearing Repeater Stand	
1812783	Bearing Repeater Stand	
4890, 4905	Bearing Repeater Bracket with Terminal Box	
4884, 4894	Terminal box	
4914	Gyrocompass System NAVIGAT X MK 1	
4991	Gyrocompass System NAVIGAT X MK 2	
4913	Gyrocompass System NAVIGAT 2100	
5023	Gyrocompass System NAVIGAT 2200	
5021	Gyrocompass System NAVIGAT 3000	
4923	Compass Monitor NAVITWIN III	
4994	Heading Management System NAVITWIN IV	
4805	Voyage Data Printer NAVIPRINT	
4926	Gyrocompass Control Unit	



4863	Fluxgate Coil For Magnetic Compass
DTR600	Digital Tape Repeater
4891	Universal Digital Repeater
4806 AC, 4806 AD, 4806 AE	Multifunction Display NAVIDATA
4932	Switch-Over Box
4936, 4992	Splitter Box
55555	Opto Isolator
2568	Power Supply Unit



Thomas Blome, Product Line Manager

30.06.2017

Date of Issue

