

VisionMaster TT 250

Integrated Tabletop Radar, Chart Radar, ECDIS



VisionMaster TT 250

The ideal, compact solution for mariners.



VisionMaster - 19"
Integrated Tabletop Display

The VisionMaster FT Tabletop (TT 250) Radar/Chart Radar and ECDIS display has been enhanced, retaining its very compact format.

It benefits from the latest SperryMarine VisionMaster software, with the latest Intel integrated processor and is now equipped with a 128GB SSD drive which allows seamless loading of S57 and S63 compliant charts.

The VisionMaster TT 250's unique small footprint is the ideal Plug&Play radar solution, allowing installation into wheelhouses with small mechanical constraints. From fishing vessels to police boats, the VisionMaster TT250 is your ideal small and medium sized vessel solution.

Highlights

- Available system configurations:
 - Enhanced CAT 2 (ECAT 2) Radar
 - Chart Radar
 - ECDIS and ECDIS with Radar overlay
 - TotalWatch (multi-function)
- Seamless integration of all available configurations for improved watch keeping
- Comprehensive range of tools and features for the navigator
- Simple user interface – identical in all available configurations
- Target tracking capability of 100 radar targets and 650 AIS targets (similar to CAT 1)
- Fully Type Approved to the International Standards of IEC 62388 and IEC 62288
- The VisionMaster TT 250 Radar and Chart Radar displays are available with a full range of SperryMarine VisionMaster FT range of X-Band and S-Band antennas and transceiver configurations

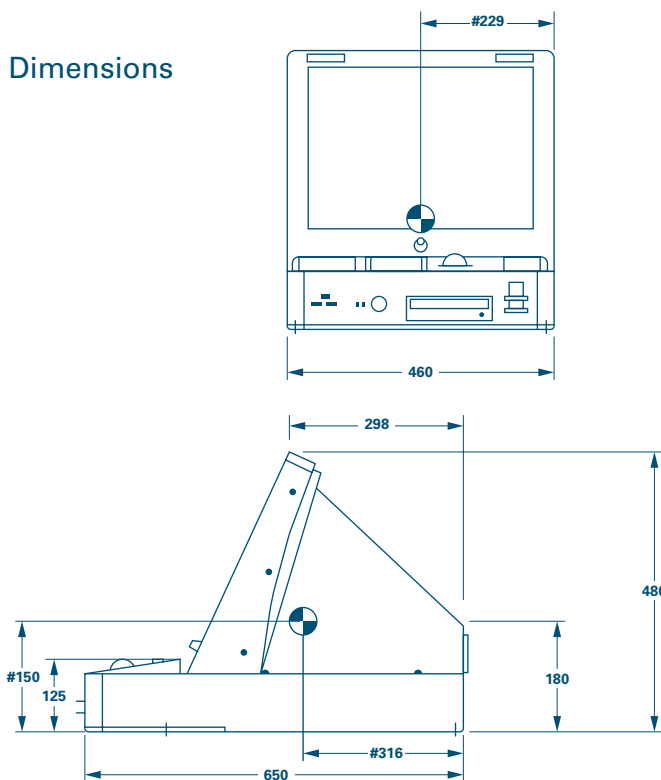
Specifications

Display

VisionMaster TT 250

Type	ECAT 2 Radar / Chart
Screen size	LCD 19"
Resolution	1280x1024
Aspect ratio	5:4
Processor	Intel® i5
RAM	4GB
Hard drive	128GB SSD
Power input	110-240V AC - 50/60Hz
Weight (est.)	23kg
Operating temperature	-15°C to +55°C
Human interface	Trackball / Control panel with trackball
Compass safe distance	Standard: 2.4m / Steering: 1.7m

Dimensions



Standards Applied

IEC Test Standards:

- IEC 62388: Shipborne radar - Performance requirements, methods of testing and required test results
- IEC 61174: Electronic Chart Display and Information System
- IEC 60945: General Requirements for Marine Navigation Equipment
- IEC 62288: Presentation of Navigation Related Information on Shipborne Navigation Displays
- IEC 61162-1: Digital interfaces - Part 1
- IEC 61162-2: Digital interfaces - Part 2
- IEC 62293-1: Bridge Alert Management - Part 1
- IEC 62293-2: Bridge Alert Management - Part 2

